



www.idda.co.th



**X Series Diesel / Gasoline / LPG Counterbalanced Forklift Trucks
with capacities of 4,000 to 5,000kg**

X Series

Diesel / Gasoline / LPG Counterbalanced Forklift Trucks

The X series is the new series of internal combustion counterbalance forklift truck developed by Hangcha independently, adopting the world advanced technologies based on the original products. Through the comprehensive upgrading of appearance molding, energy conservation, environmental protection, comfort, security and reliability, it will become the world-class forklift truck which can meet your overall demands.

Strong appearance and visual impact

The appearance of full truck is developed under the cooperation with professional industrial design company by adopting the appearance design methods of brand-new concept. The streamlined surface modeling design brings smooth lines, elegant appearance, vigorous and steady surface as well as the outstanding inherence, possessing the powerful visual impact.

The appearance of the truck is small, exquisite and concise. which adopting the newly designed parts with opening mould at large area, the appearance will be more humanized.



Innovation design



The new designed mast increase forward visibility 15%



Fuel consumption ↓ 10% (Common rail engine)



Grade-speed ability ↑ 15%



Legroom ↑ 15%



Exhaust emission ↓ 35% (Common rail engine)



Better cold starting performance (Common rail engine)



High pressure common rail electronic-controlled engine provide lower failure rate (Common rail engine)



Aluminous plate-fin radiator provides stronger structure



Water temp ↓ 10 C, oil temp ↓ 10%



www.idda.co.th



Energy conservation and Environmental protection



The standard engine is the high pressure common rail electronic-controlled engine which adopts high pressure multiple injections technology to ensure the strong power take-off, lower emission and better cold starting performance; saving the 10% of energy consumption.



The whole truck adopts LED lights as shiner and new-type panoramic retroreflector to ensure energy conservation and power saving as well as greatly improve the performance and service life of luminaires at the same time.

The full vehicles all adopt the environmental protection material to reduce environmental hazards.

Maintenance



Newly-developed LCD instrument has more comprehensive functions and more stable performance and entirely displays the full truck running state, trouble diagnosis and other important information, which can make the operator more intuitively and conveniently have a better knowledge of truck state and make the maintenance conveniently.



The enlarged opening angle of hood and increase of left and right hood side plates can provide you with convenient and rapid maintenance mode.



Adoption of new generation integrated electric box makes maintenance and repair convenient, layout becomes more reasonable and with better water-proof performance.

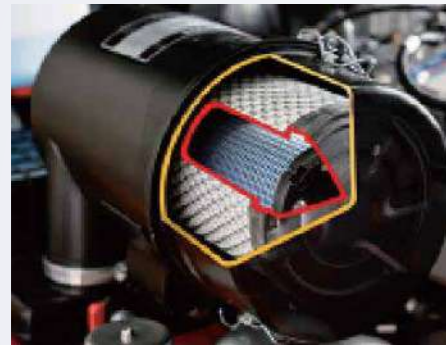


Integral locking pin structure on the baseboard can be opened without tool, which is convenient for daily repair and maintenance.

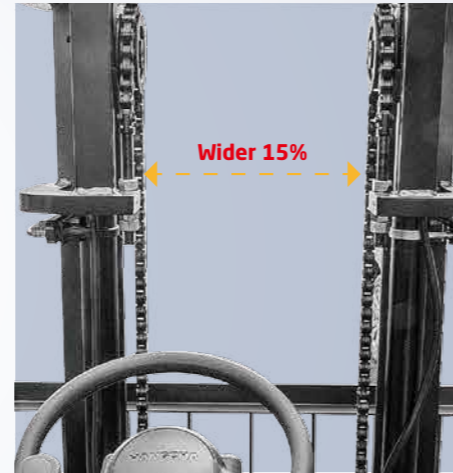
Comfort

Reduce the caster angle of instrument stand and adopt the integral hood to greatly increase the space underfoot;

The orthodrome of overhead guard fore leg will expand the driving space;



Optimized air intake and exhaust system of full truck, high-capacity exhaust buffer and high-effect intake buffer will reduce the noise of full truck by 3dB and reduce the vibration by 20%.



Adopt the new-type of box iron. Increase the inside width of inner mast and the spacing between lifting cylinders. The lowering of instruments in the driving cab will greatly increase the forward visibility; The rear visibility will also be greatly improved through the optimization design of counterweight.



The design of steering wheel of small diameter and electro-hydraulic system as well as the car-type double-handle combination switch will greatly improve the driving comfort.

Intelligentized management system (option)

Reserved plug of extending function of Intelligent module is on the wire bundles that makes truck management more convenient and rapid.



Standard Specification

- / Reminder of maintenance
- / LED working light
- / Hydraulic oil filter
- / Electric Flameout
- / Seat with belt
- / Skidproof pedal
- / Air filter
- / Hydraulic oil dipstick
- / Traction device
- / Mast speed limiting valve
- / Full hydraulic power steering
- / Wide view duplex mast
- / Standard forks
- / Waterproof cover on the guard
- / Standard overhead guard
- / Rear combination LED light
- / Panoramic rearview mirror
- / Filf folder
- / Adjustable steering column
- / Pre-heating indicator
- / Engine fuel pressure warning
- / Neutral switch
- / Engine hood spring
- / Dipstick
- / Pneumatic tyres
- / Standard load backrest
- / Horn
- / Fuel gauge
- / LCD display
- / Cable parking brake
- / Tilt cylinder self-locking valve
- / Fork carriage mounting class III (IV)
- / Timer
- / Load safety valve
- / Charging indicator
- / Water temperature gauge
- / Toolbox
- / Reversing buzzer
- / Return oil filter
- / Hand grip
- / Integrated controller
- / Oil-water separator
- / Engine fault warning
- / Rubber pedal
- / 2nd hydraulic function
- / Transmission oil temperature warning

Optional Mast

- / Duplex wide view full free mast
- / Trilex wide view full free mast
- / Special duplex wide view mast
- / Wider fork carriage
- / Special forks

Options

- / Cover of tilt cylinder
- / Dual driving wheel
- / Cabin
- / High-positioned exhaust system
- / Customer painting
- / Cabin heater
- / LED rear working light
- / Hood lock
- / Double heat insulating pad and leather cover
- / Net cover of radiator
- / Solid tyre
- / Non-mark tyre (white/green)
- / Middle-positioned exhaust system
- / Sparkle arrester
- / Suspension seat
- / Fuel tank lock
- / Speed meter
- / Auxilliary hydraulic valve
- / Extinguisher
- / Reversing assist grip with horn button
- / Counter weight net
- / Height of overhead guard
- / Dual air filter
- / Milometer

Optional Attachments

- / Paper roll clamp
- / Rotating bale clamp
- / Load stabilizer
- / Multi-drum clamp
- / Bale clamp
- / Drum clamp
- / Dumping clamp
- / Crane arm
- / String pole
- / Weigher system
- / Sideshifter
- / Rotating forks
- / Fork extensioner
- / Load release device
- / Carton clamp
- / Push-pull device
- / Bucket
- / Hook
- / Lengthened fork



X Series Diesel / Gasoline / LPG Counterbalanced Forklift Trucks

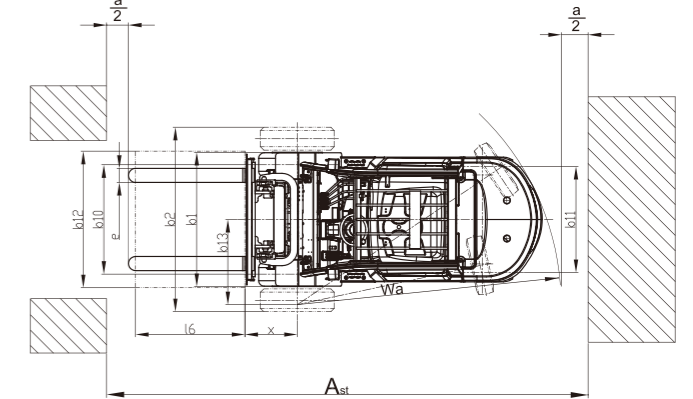
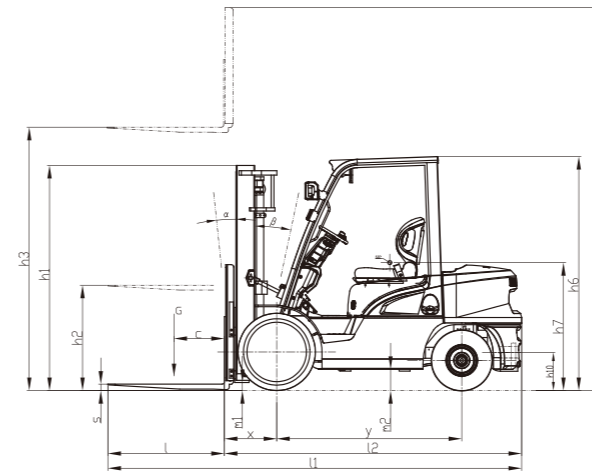
Distinguishing mark	HANGCHA GROUP CO.,LTD.											
	CPCD40-XRW76		CPCD45-XRW76		CPCD50-XRW76		CPQYD40-XRW57		CPQYD45-XRW57		CPQYD50-XRW57	
	Diesel		Diesel		Diesel		Gasoline/LPG		Gasoline/LPG		Gasoline/LPG	
1.1	Manufacturer											
1.2	Manufacturer's type designation											
1.3	Drive: electric (battery or mains), diesel, petrol, fuel gas											
1.4	Operator type: hand, pedestrian, standing, seated, order-picker											
1.5	Rated capacity/rated load Q (kg)											
1.6	Load centre distance c (mm)											
1.8	Load distance, centre of drive axle to fork x (mm)											
1.9	Wheelbase y (mm)											
2.1	Service Weight kg											
2.2	Axle loading, laden front/rear kg											
2.3	Axle loading, unladen front/rear kg											
3.1	Tyres: solid rubber, superelastic, pneumatic, polyurethane											
3.2	Tyre size, front											
3.3	Tyre size, rear											
3.5	Wheels, number front / rear (x = driven wheels)											
3.6	Tread, front b10 (mm)											
3.7	Tread, rear b11 (mm)											
4.1	Tilt of mast/fork carriage forward/backward α(β)°											
4.2	Height, mast lowered h1 (mm)											
4.3	Free lift h2 (mm)											
4.4	Lift h3 (mm)											
4.5	Height, mast extended h4 (mm)											
4.7	Height of overhead guard (cabin) h6 (mm)											
4.8	Seat height relating to SIP h7 (mm)											
4.12	Coupling height h10 (mm)											
4.19	Overall length l1 (mm)											
4.20	Length to face of forks l2 (mm)											
4.21	Overall width b1 (mm)											
4.22	Fork dimensions s/e/l (mm)											
4.23	Fork carriage DIN 15 173 --- ISO 2328, class/type A,B											
4.24	Fork-carriage width b3 (mm)											
4.25	Distance between fork-arms b5 (mm)											
4.31	Ground clearance, laden, below mast m1 (mm)											
4.32	Ground clearance, centre of wheelbase m2 (mm)											
4.34.1	Aisle width for pallets 1000 x 1200 crossways Ast (mm)											
4.34.2	Aisle width for pallets 800 x 1200 lengthways Ast (mm)											
4.35	Turning radius Wa (mm)											
4.36	Internal turning radius b13 (mm)											
5.1	Travel speed, laden/unladen km/h											
5.2	Lift speed, laden/unladen m/s											
5.3	Lowering speed, laden/unladen m/s											
5.5	Drawbar pull, laden/unladen N											
5.7	Gradeability, laden/unladen %											
5.10	Service brake											
	Parking brake											
7.1	Engine manufacturer/type											
7.2	Engine power kW											
7.3	Rated speed r/min											
7.4	Number of cylinders/displacement (-)/(cm³)											
7.8	Generator A											
7.9	Vehicle electrical system voltage V											
7.10	Battery voltage/nominal capacity V/Ah											
	Rated torque N·m/r/min											
	Transmissions Manufacturer											
	Transmissions Type											
	Stage FWD/RVS											
10.1	Operating pressure for attachments bar											
10.2	Oil volume for attachments l/min											
10.3	Hydraulic Tank - capacity (drain & refill) liter											
10.4	Fuel tank capacity liter											
10.7	Sound pressure level at the driver's seat dB (A)											

4.0-5.0t X series mast:(Pneumatic)

Type	Model	Max. fork height	Overall height						Free lift				Front Overhang		Tilt range F/R (°)	Capacity Load capacity at 500mm				
			Extended			W/with backrest			W/with backrest		W/with backrest		Load capacity at 500mm							
			4/4.5t	5.0t	W/with backrest	4/4.5t	5.0t	W/with backrest	4/4.5t	5.0t	4/4.5t	5.0t	Single tire			Dual tire				
Wide view mast	XR45/XXR50M250	2500	1995	3330	3330	3670	3865	160	160	160	160	550	555	6/12	4000	4500	5000	4000	4500	5000
	XR45/XXR50M270	2700	2095	3530	3530	3870	4065	160	160	160	160	550	555	6/12	4000	4500	5000	4000	4500	5000
	XR45/XXR50M300	3000	2245	3830	3830	4170	4365	160	160	160	160	550	555	6/12	4000	4500	5000	4000	4500	5000
	XR45/XXR50M330	3300	2395	4130	4130	4470	4665	160	160	160	160	550	555	6/12	4000	4500	5000	4000	4500	5000
	XR45/XXR50M350	3500	2495	4330	4330	4670	4865	160	160	160	160	550	555	6/12	4000	4500	5000	4000	4500	5000
	XR45/XXR50M360	3600	2545	4430	4430	4770	4965	160	160	160	160	550	555	6/12	4000	4500	5000	4000	4500	5000
	XR45/XXR50M370	3700	2595	4530	4530	4870	5065	160	160	160	160	550	555	6/12	4000	4500	5000	4000	4500	5000
	XR45/XXR50M380	3800	2645	4630	4630	4970	5165	160	160	160	160	550	555	6/12	4000	4500	5000	4000	4500	5000
	XR45/XXR50M400	4000	2795	4830	4830	5170	5365	160	160	160	160	550	555	6/12	3800	4250	4750	4000	4500	5000
	XR45/XXR50M430	4300	2960	5130	5130	5470	5665	160	160	160	160	550	555	6/6	3600	4000	4500	3800	4250	4750
	XR45/XXR50M450	4500	3070	5330	5330	5670	5865	160	160	160	160	550	555	6/6	3400	3800	4250	3600	4050	4550
	XR45/XXR50M470	4700	3180	5530	5530	5870	6065	160	160	160	160	550	555	6/6	3000	3350	3750	3200	3600	4000
	XR45/XXR50M480	4800	3235	5630	5630	5970	6165	160	160	160	160	550	555	6/6	3000	3350	3750	3200	3600	4000
	XR45/XXR50M500	5000	3345	5830	5830	6170	6365	160	160	160	160	550	555	6/6	2800	3150	3500	3000	3400	3750
	XR45/XXR50M550	5500	3620	6330	6330	6670	6865	160	160	160	160	550	555	3/6	2250	2800	2850	2800	3100	3350
XR45/XXR50M600	6000	3895	6830	6830	7170	7365	160	160	160	160	550	555	3/6	1950	2500	2550	2600	2800	2950	
Wide view full free duplex mast	XR45/XXR50U250	2500	1976	3365	3365	3670	3865	1114	1114	809	610	557	562	6/12	4000	4500	5000	4000	4500	5000
	XR45/XXR50U275	2750	2100	3615	3615	3920	4115	1238	1238	933	735	557	562	6/12	4000	4500	5000	4000	4500	5000
	XR45/XXR50U300	3000	2226	3865	3865	4170	4365	1364	1364	1055	860	557	562	6/12	4000	4500	5000	4000	4500	5000
Wide view full free triplex mast	XR45/XXR50U330	3300	2376	4165	4165	4470	4665	1514	1514	1205	1010	557	562	6/12	4000	4500	5000	4000	4500	5000
	XR45/XXR50U350	3500	2476	4365	4365	4670	4865	1614	1614	1309	1110	557	562	6/12	4000	4500	5000	4000	4500	5000
	XR45/XXR50U360	3600	2526	4465	4465	4770	4965	1664	1664	1359	1160	557	562	6/12	4000	4500	5000	4000	4500	5000
XR45/XXR50U370	3700	2576	4565	4565	4870	5065	1714	1714	1409	1210	557	562	6/12	4000	4500	5000	4000	4500	5000	
XR45/XXR50N400	4000	2080	4850	4860	5170	5365	1229	1222	912	715	603	615	6/12	3600	4000	4500	3800	4250	4750	
XR45/XXR50N430	4300	2180	5155	5160	5470	5665	1329	1322	1012	815	603	615	6/6	3400	3800	4250	3600	4050	4500	
XR45/XXR50N450	4500	2248	5365	5370	5685	5880	1395	1390	1080	883	603	615	6/6	3200	3600	4000	3400	3850	4250	
XR45/XXR50N470	4700	2310	5550	5560	5870	6070	1459	1452	1142	945	603	615	6/6	3000	3350	3750	3200	3600	4000	
XR45/XXR50N480	4800	2340	5650	5660	5970	6170	1489	1482	1172	975	603	615	6/6	3000	3350	3750	3200	3600	4000	
XR45/XXR50N500	5000	2410	5855	5860	6170	6370	1559	1552	1242	1045	603	615	6/6	2800	3150	3500	3000	3400	3750	
XR45/XXR50N550	5500	2575	6355	6360	6670	6870	1724	1718	1408	1210	603	615	3/6	2250	2550	2850	2800	3100	3350	
XR45/XXR50N600	6000	2790	6855	6870	7180	7380	1939	1932	1622	1425	603	615	3/6	1700	1950	2200	2600	2800	2950	
XR45/XXR50N650	6500	2980	7355	7370	7680	7880	2129	2123	1812	1615	603	615	3/6	/	/	/	2400	2500	2650	
XR45/XXR50N700	7000	3155	7860	7865	8175	8375	2304	2298	1988	1790	603	615	3/6	/	/	/	2000	2200	2350	

With sideshifter minus 200kg, with integral sideshifter minus 100kg

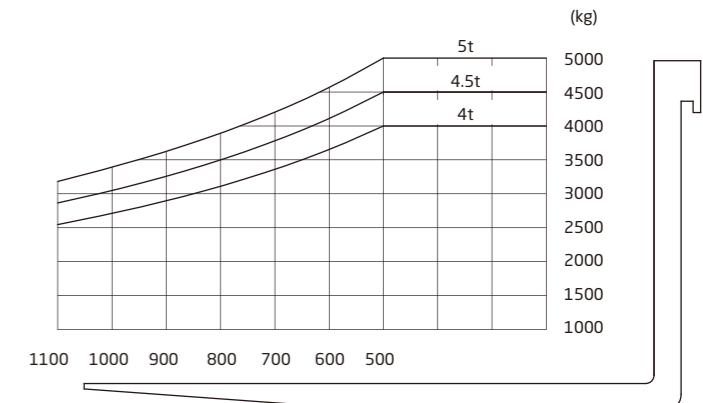
Max fork height 7.5m or 8.0m is option for full free triplex mast



$$Ast=L6+X+Wa+a \quad a=200mm$$

Optional Engine

1.2	Manufacturer's type designation										
1.3	Drive: electric (battery or mains), diesel, petrol, fuel gas										
1.5	Rated capacity/rated load Q (kg)										
7.1	Engine manufacturer/type										
	Emission STD										
7.2	Engine power kW										
7.3	Rated speed r/min										
7.4	Number of cylinders/displacement (-)/(cm³)										
	Rated torque N·m/r/min										
	Transmissions Manufacturer										
	Transmissions Type										





Easy/
Efficiency/
Economy



Fully improved reliability And security



1. The radiator adopts aluminous plate-fin radiator with better performance and higher structural strength. Independent oil radiator, optimized oil and water heat dissipation channel and double ventilation holes on counterweight can greatly improve cooling efficiency and reliability of overloaded operation and ensure reliable operation of the engine.
2. Anti-slip pedal is convenient to get on/off the truck and also more safe for the driver.
3. Overhead guard adopts special-shaped steel tube, which can reinforce the strength and improve sealing of the cab.
4. Optimized hydraulic breather structure and integrated with return oil filter can prolong the service life of hydraulic pressure system.